

**PROJECT ISSUES:**

SCHEMATIC DESIGN: 6/25/2023

DESIGN DEVELOPMENT: 8/21/2023

100% CONSTRUCTION DOCUMENTS: 11/17/2023

REVISION 2: 02/28/2024

REVISION 3: 03/21/2024

CONFORMANCE SET: 04/16/2024

**KEY NOTES:**

- FLOOR ZONE CONTROL VALVE WITH FLOW SWITCH AND TAMPER SWITCH.
- UNPROTECTED OVERHANG CONSTRUCTED OF NON-COMBUSTIBLE MATERIALS.

**GENERAL NOTES:**

- AVAILABLE SPACE IN CORRIDOR CEILINGS IS LIMITED. COORDINATION IS REQUIRED WITH THE MECHANICAL, PLUMBING AND ELECTRICAL SYSTEMS TO ENSURE THAT ALL PIPING, CONDUIT AND DUCTWORK ARE PROPERLY LOCATED.

**PROJECT TEAM:**

- CIVIL: KENNETH HORNE & ASSOCIATES
- LANDSCAPING: FORME DESIGN GROUP
- STRUCTURAL: MCCARTHY ENGINEERING
- ARCHITECTURAL: CALDWELL ASSOCIATES
- FIRE PROTECTION: H.M. YONGE & ASSOCIATES
- MECHANICAL / PLUMBING: H.M. YONGE & ASSOCIATES
- ELECTRICAL: KLOCKE ASSOCIATES

**PROJECT:**  
**CREATIVE LEARNING ACADEMY**

**3151 HYDE PARK RD.**  
**PENSACOLA, FL**

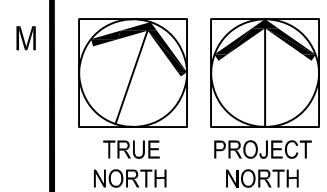
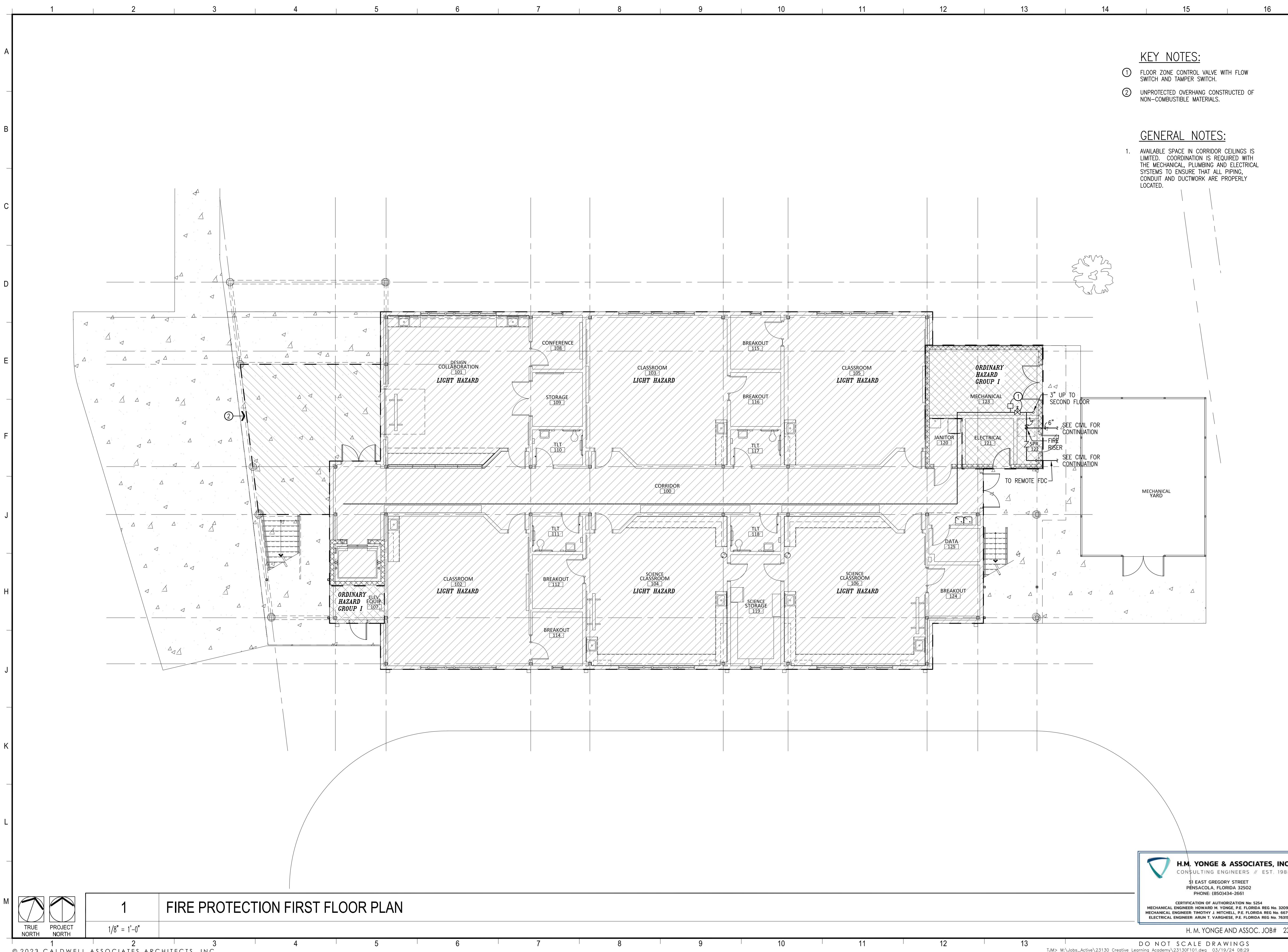
PROJECT NO.: 22028

SHEET TITLE:  
FIRE PROTECTION  
FIRST FLOOR PLAN

SHEET NUMBER:

**F101**

H. M. YONGE AND ASSOC. JOB# 23-130



1  
1/8" = 1'-0"  
FIRE PROTECTION FIRST FLOOR PLAN

**H.M. YONGE & ASSOCIATES, INC.**  
CONSULTING ENGINEERS // EST. 1988  
51 EAST GREGORY STREET  
PENSACOLA, FLORIDA 32502  
PHONE: (850)434-2661

CERTIFICATION OF AUTHORIZATION No. 5254  
MECHANICAL ENGINEER: HOWARD M. YONGE, P.E. FLORIDA REG. NO. 32093  
MECHANICAL ENGINEER: TIMOTHY J. MITCHELL, P.E. FLORIDA REG. NO. 66792  
ELECTRICAL ENGINEER: ARUN T. VARGHESE, P.E. FLORIDA REG. NO. 76315

**PROJECT ISSUES:**

SCHEMATIC DESIGN: 6/25/2023

DESIGN DEVELOPMENT: 8/21/2023

100% CONSTRUCTION DOCUMENTS: 11/17/2023

REVISION 2: 02/28/2024

REVISION 3: 03/21/2024

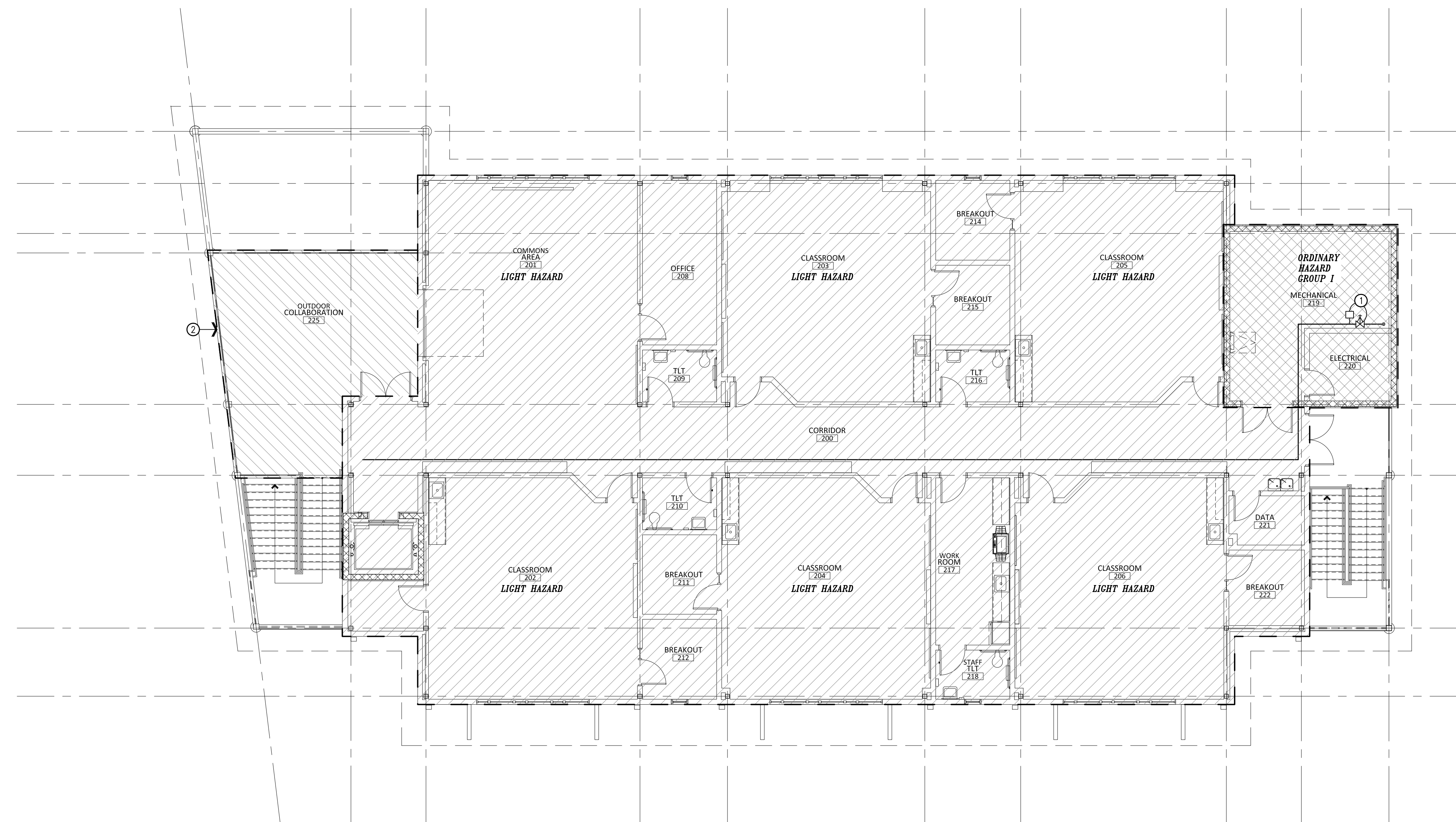
CONFORMANCE SET: 04/16/2024

**KEY NOTES:**

- ① FLOOR ZONE CONTROL VALVE WITH FLOW SWITCH AND TAMPER SWITCH.
- ② UNPROTECTED OVERHANG CONSTRUCTED OF NON-COMBUSTIBLE MATERIALS.

**GENERAL NOTES:**

- 1. AVAILABLE SPACE IN CORRIDOR CEILINGS IS LIMITED. COORDINATION IS REQUIRED WITH THE MECHANICAL, PLUMBING AND ELECTRICAL SYSTEMS TO ENSURE THAT ALL PIPING, CONDUIT AND DUCTWORK ARE PROPERLY LOCATED.



**PROJECT TEAM:**

- CIVIL: KENNETH HORNE & ASSOCIATES
- LANDSCAPING: FORME DESIGN GROUP
- STRUCTURAL: MCCARTHY ENGINEERING
- ARCHITECTURAL: CALDWELL ASSOCIATES
- FIRE PROTECTION: H.M. YONGE & ASSOCIATES
- MECHANICAL / PLUMBING: H.M. YONGE & ASSOCIATES
- ELECTRICAL: KLOCKE ASSOCIATES

**PROJECT:**

**CREATIVE LEARNING ACADEMY**

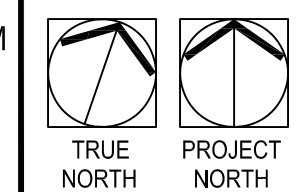
**3151 HYDE PARK RD.  
PENSACOLA, FL**

PROJECT NO. : 22028

SHEET TITLE:  
FIRE PROTECTION  
SECOND FLOOR PLAN

SHEET NUMBER:

**F102**



1

**FIRE PROTECTION SECOND FLOOR PLAN**

1/8" = 1'-0"

**H.M. YONGE & ASSOCIATES, INC.**  
CONSULTING ENGINEERS // EST. 1988  
51 EAST GREGORY STREET  
PENSACOLA, FLORIDA 32502  
PHONE: (850)434-2661  
CERTIFICATION OF AUTHORIZATION No. 5254  
MECHANICAL ENGINEER: HOWARD M. YONGE, P.E. FLORIDA REG. NO. 32093  
MECHANICAL ENGINEER: TIMOTHY J. MITCHELL, P.E. FLORIDA REG. NO. 66792  
ELECTRICAL ENGINEER: ARUN T. VARGHESE, P.E. FLORIDA REG. NO. 76315  
H.M. YONGE AND ASSOC. JOB# 23-130

DO NOT SCALE DRAWINGS

**PROJECT ISSUES:**  
SCHEMATIC DESIGN: 6/25/2023  
DESIGN DEVELOPMENT: 8/21/2023  
100% CONSTRUCTION DOCUMENTS: 11/17/2023  
CONFORMANCE SET 04/16/2024

**PROJECT TEAM:**  
CIVIL: KENNETH HORNE & ASSOCIATES  
LANDSCAPING: FORME DESIGN GROUP  
STRUCTURAL: MCCARTHY ENGINEERING  
ARCHITECTURAL: CALDWELL ASSOCIATES  
FIRE PROTECTION: H.M. YONGE & ASSOCIATES  
MECHANICAL / PLUMBING: H.M. YONGE & ASSOCIATES  
ELECTRICAL: KLOCKE ASSOCIATES

**PROJECT:**  
**CREATIVE LEARNING ACADEMY**

**3151 HYDE PARK RD.  
PENSACOLA, FL**

**PROJECT NO. :** 22028  
**SHEET TITLE:**  
FIRE PROTECTION SCHEDULES, LEGEND AND DETAILS

**SHEET NUMBER:**

**F201**

**CLASSIFICATION OF HAZARD OCCUPANCIES:**

WET PIPE LIGHT HAZARD - ENTIRE BUILDING UNLESS NOTED OTHERWISE  
WET PIPE ORDINARY HAZARD GROUP 1 - MECHANICAL, ELECTRICAL

**SYSTEM DESIGN APPROACH CRITERIA:**

ORDINARY HAZARD GROUP 1 - WET PIPE FIRE SPRINKLER SYSTEM WITH A DENSITY OF .15 GPM OVER A MINIMUM REMOTE AREA OF 1,500 SQUARE FEET WITH A HOSE STREAM ALLOWANCE OF 250 GPM AND 130 SQUARE FEET OF COVERAGE PER SPRINKLER HEAD MAXIMUM.  
LIGHT HAZARD - WET PIPE FIRE SPRINKLER SYSTEM WITH A DENSITY OF .10 GPM OVER A MINIMUM REMOTE AREA OF 1,500 SQUARE FEET WITH A HOSE STREAM ALLOWANCE OF 100 GPM AND 225 SQUARE FEET OF COVERAGE PER SPRINKLER HEAD MAXIMUM.  
ALL SPRINKLER HEADS IN EXPOSED AREAS TO BE UPRIGHT, QUICK RESPONSE TYPE WITH WIRE GUARDS.  
ALL OTHER SPRINKLER HEADS IN CEILINGS TO BE SEMI-RECESSED, QUICK RESPONSE TYPE.  
NO MICROBIAL INDUCED CORROSION (MIC) IS ANTICIPATED.  
SPRINKLER DESIGN SHALL BE IN ACCORDANCE WITH NFPA 13 - 2016.

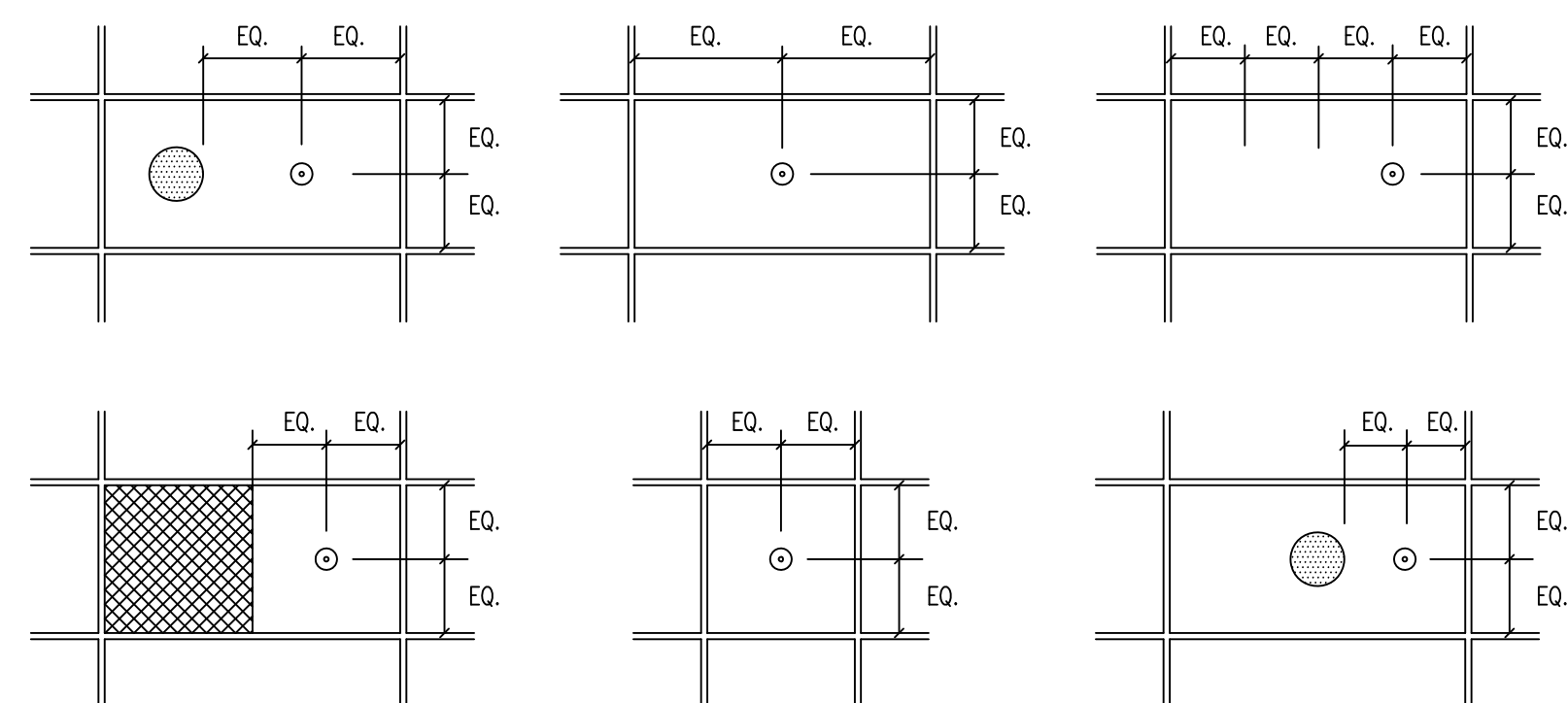
**FIRE PROTECTION LEGEND:**

- F — FIRE SPRINKLER PIPING
- SEMI-RECESSED QUICK RESPONSE HEAD
- CONCEALED QUICK RESPONSE HEAD
- ⊗ UPRIGHT QUICK RESPONSE HEAD
- ☐ RETURN AIR REGISTER
- ☐ SUPPLY AIR REGISTER
- ☐ EXHAUST AIR REGISTER
- LIGHT FIXTURE

**WATER FLOW TEST DATA**

WATER FLOW TEST DATA WAS CONDUCTED BY EMERALD COAST UTILITIES AUTHORITY AND IS FOR BIDDING PURPOSES ONLY. THE FIRE SPRINKLER CONTRACTOR SHALL CONDUCT A FLOW TEST PRIOR TO COMPLETING THE FINAL HYDRAULIC CALCULATIONS.

DATE: 10/13/21  
LOCATION: HYDRANT 50 (WEST OF 110 ST. JOHN)  
STATIC PRESSURE: 58 PSI  
RESIDUAL PRESSURE: 52 PSI  
WATER FLOW: 950 GPM

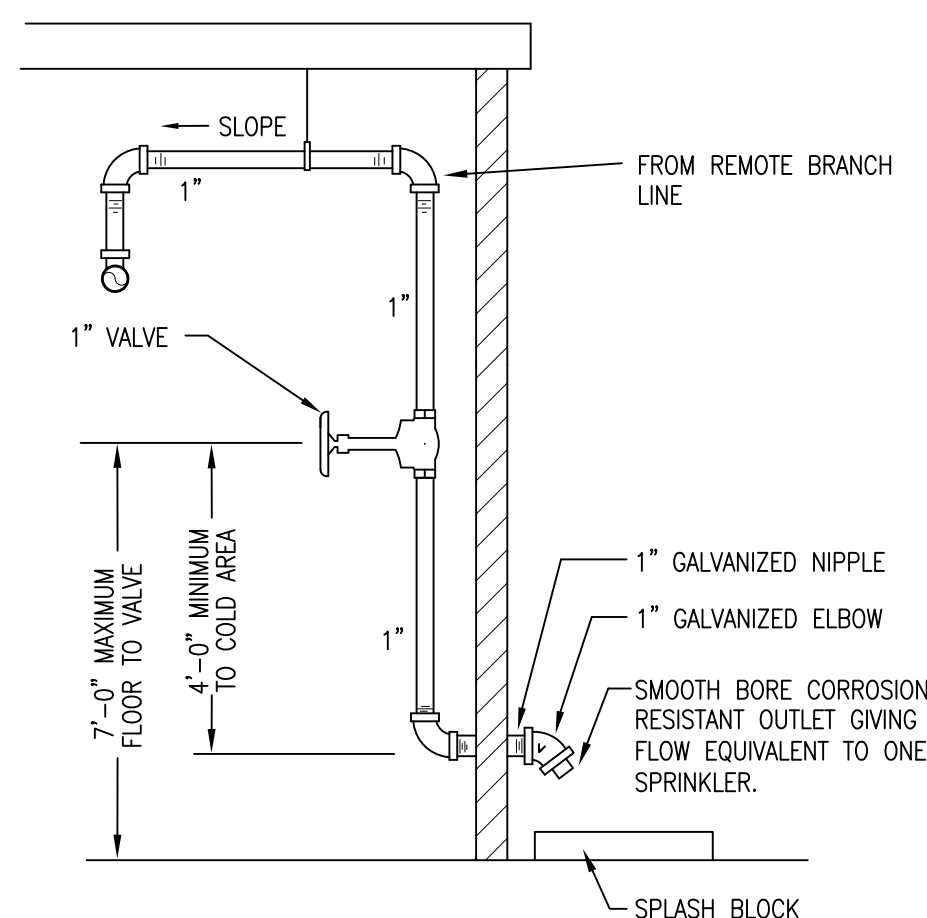


**NOTES:**  
SPRINKLER HEAD SHALL NOT BE INSTALLED WITHIN 1'-0" OF EDGE OF SUPPLY DIFFUSER

- ☒ DIFFUSER OR LIGHT FIXTURE
- SPEAKER OR OTHER DEVICE
- SPRINKLER HEAD

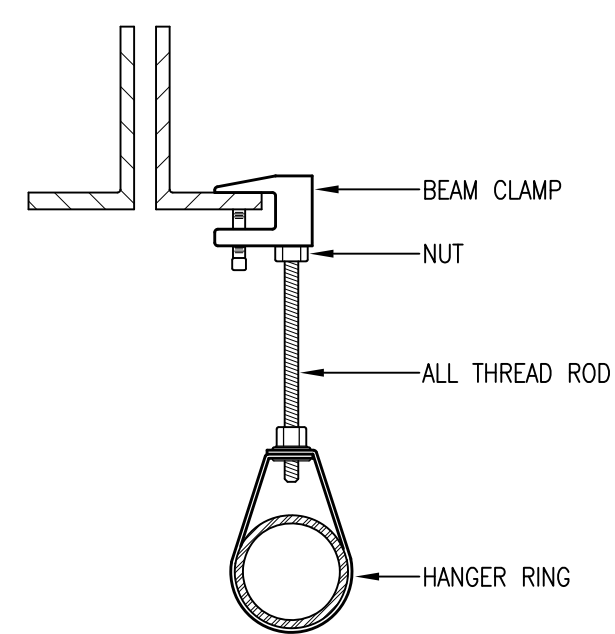
**SPRINKLER HEAD MOUNTING DETAIL**

NOT TO SCALE



**INSPECTORS TEST CONNECTION DETAIL**

NOT TO SCALE

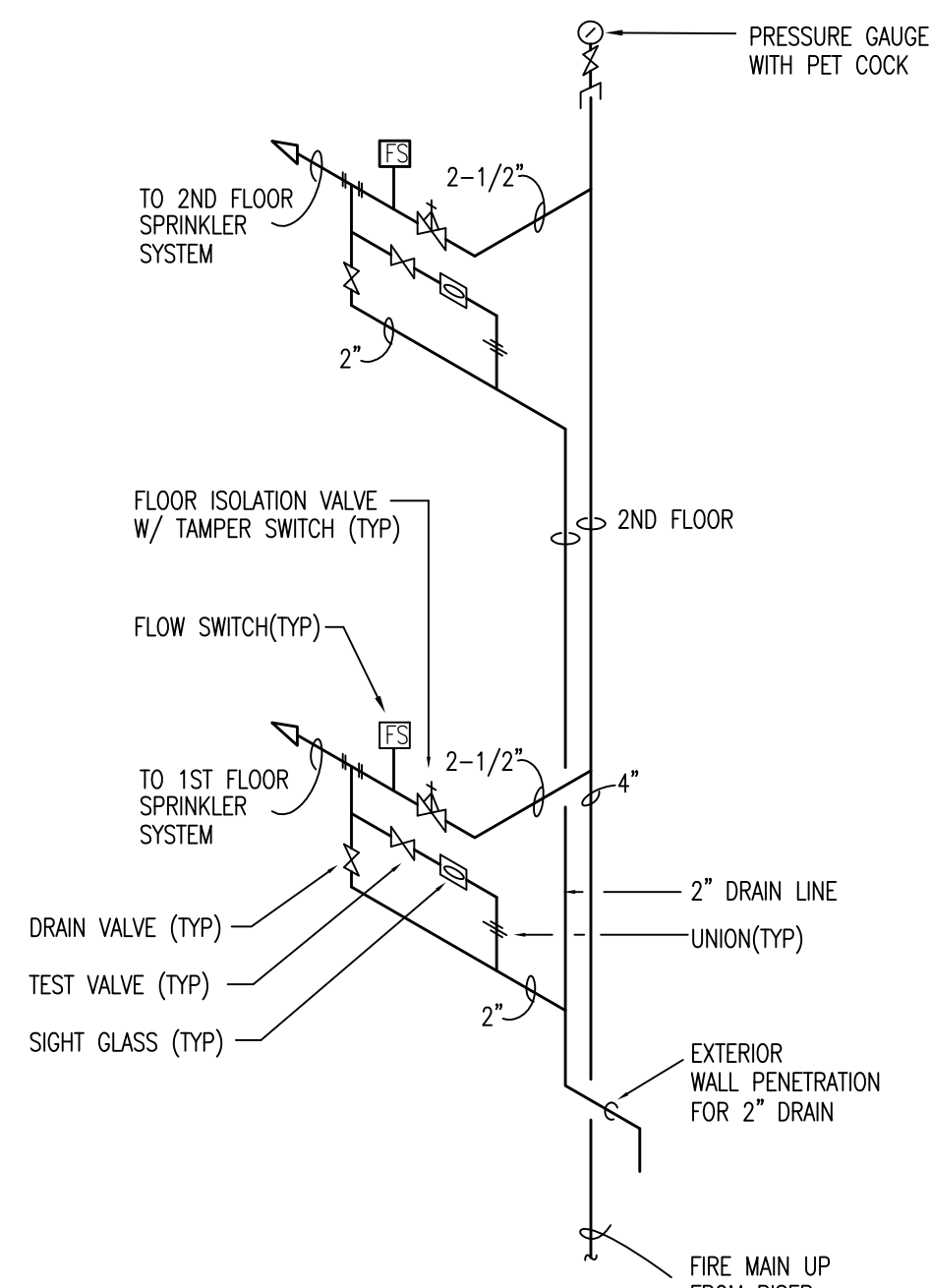


PIPE HANGERS SHALL BE INSTALLED AS REQUIRED BY NFPA FOR SUPPORTING SPRINKLER PIPING. NO OTHER PIPING AND/OR DEVICES ARE TO BE ATTACHED TO THE SPRINKLER PIPE HANGER SYSTEM UNLESS THE HANGER HAS BEEN SPECIFICALLY DESIGNED FOR THE ADDITIONAL LOADING.

THIS CONTRACT DOES NOT INCLUDE ANY MATERIAL OR DEVICE TO IMPROVE THE STRUCTURAL STRENGTH OF THE BUILDING TO ENABLE IT TO CARRY THE LOAD OF THE FIRE PROTECTION SYSTEM.

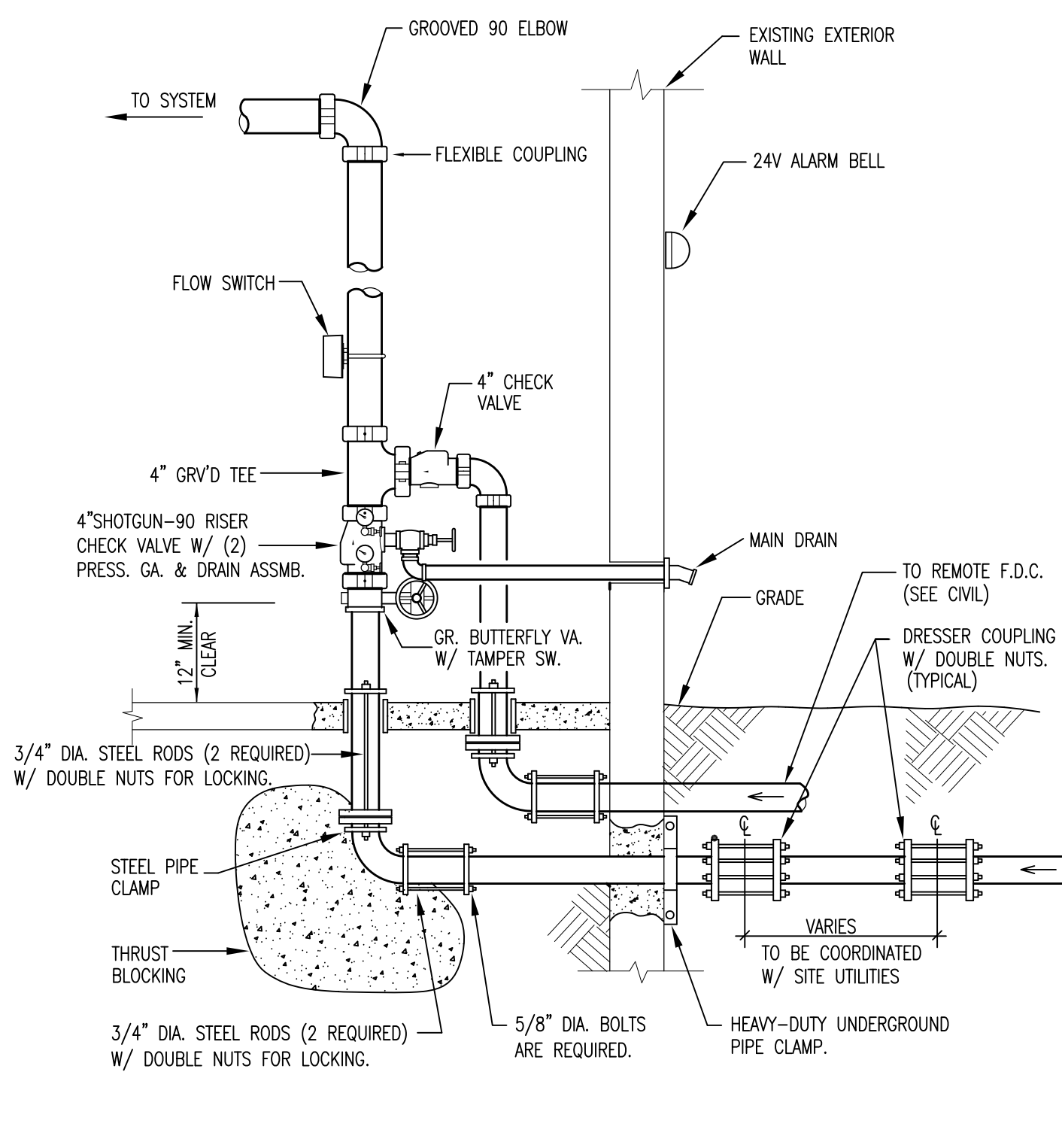
**BEAM HANGER DETAIL**

NOT TO SCALE



**FIRE RISER DETAIL**

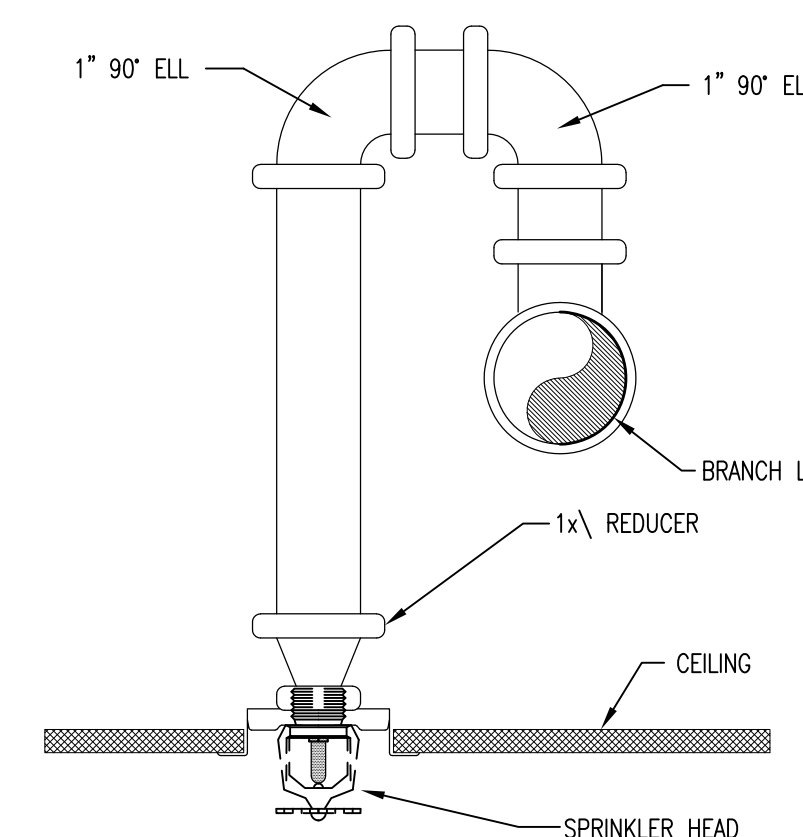
NOT TO SCALE



NOTE: THRUST BLOCKS ON FDC PIPING ARE REQUIRED EVEN THOUGH NOT SHOWN GRAPHICALLY.

**WET PIPE FIRE RISER DETAIL**

NOT TO SCALE



**TYPICAL RETURN BEND**

NOT TO SCALE

**H.M. YONGE & ASSOCIATES, INC.**  
CONSULTING ENGINEERS // EST. 1988  
51 EAST GREGORY STREET  
PENSACOLA, FLORIDA 32502  
PHONE: (850)434-2661  
CERTIFICATION OF AUTHORIZATION No. 5254  
MECHANICAL ENGINEER: HOWARD M. YONGE, P.E. FLORIDA REG. NO. 32093  
MECHANICAL ENGINEER: TIMOTHY J. MITCHELL, P.E. FLORIDA REG. NO. 66792  
ELECTRICAL ENGINEER: ARUN T. VARGHESE, P.E. FLORIDA REG. NO. 76315

H.M. YONGE AND ASSOC. JOB# 23-130

DO NOT SCALE DRAWINGS

TJM> M:\Jobs\_Active\23130 Creative Learning Academy\23130F201.dwg 11/15/23 13:37