

KEY NOTES:

- ① DROP INTO TOP OF 4" PIPE WITH WYE FITTING.
- ② COORDINATE FINAL LOCATION OF FLOOR SINK WITH FINAL DIMENSIONS OF THE AIR HANDLING UNIT. FLOOR SINK SHALL BE A MINIMUM OF 6" FROM THE HOUSEKEEPING PAD.
- ③ SINK TO BE PIPED TO ACCOMMODATE FUTURE GARBAGE DISPOSER AND FUTURE DISHWASHER.
- ④ 108"x6" TRENCH DRAIN WITH CLASS B HEAL PROOF TOP GRATE AND SIDE OUTLET. CENTER DRAIN ON ROLL-UP DOOR LOCATION. DRAIN TO BE ZURN OR EQUAL.

PROJECT ISSUES:

SCHEMATIC DESIGN:	6/25/2023
DESIGN DEVELOPMENT:	8/21/2023
100% CONSTRUCTION DOCUMENTS:	11/17/2023
REVISION 2	02/28/2024
CONFORMANCE SET	04/16/2024

PROJECT TEAM:

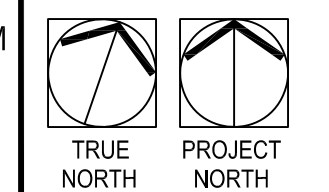
CIVIL: KENNETH HORNE & ASSOCIATES
 LANDSCAPING: FORME DESIGN GROUP
 STRUCTURAL: MCCARTHY ENGINEERING
 ARCHITECTURAL: CALDWELL ASSOCIATES
 FIRE PROTECTION: H.M. YONGE & ASSOCIATES
 MECHANICAL / PLUMBING: H.M. YONGE & ASSOCIATES
 ELECTRICAL: KLOCKE ASSOCIATES

PROJECT:
CREATIVE LEARNING ACADEMY

3151 HYDE PARK RD.
PENSACOLA, FL

PROJECT NO.: 22028
 SHEET TITLE:
 WASTE PIPE
 FIRST FLOOR PLAN

SHEET NUMBER:
P101



1 WASTE PIPE FIRST FLOOR PLAN

1/8" = 1'-0"

H.M. YONGE & ASSOCIATES, INC.
 CONSULTING ENGINEERS // EST. 1988
 51 EAST GREGORY STREET
 PENSACOLA, FLORIDA 32502
 PHONE: (850)434-2661

CERTIFICATION OF AUTHORIZATION No. 5254
 MECHANICAL ENGINEER: HOWARD M. YONGE, P.E. FLORIDA REG. NO. 32093
 MECHANICAL ENGINEER: TIMOTHY J. MITCHELL, P.E. FLORIDA REG. NO. 66792
 ELECTRICAL ENGINEER: ARUN T. VARGHESE, P.E. FLORIDA REG. NO. 76315

H.M. YONGE AND ASSOC. JOB# 23-130

DO NOT SCALE DRAWINGS

KEY NOTES:
① COORDINATE FINAL LOCATION OF FLOOR SINK WITH FINAL DIMENSIONS OF THE AIR HANDLING UNIT. FLOOR SINK SHALL BE A MINIMUM OF 6" FROM THE HOUSEKEEPING PAD.

CALDWELL
ASSOCIATES | ARCHITECTS
114 N TARRAGONA STREET, PENSACOLA, FL 32502
(850) 432 9500 | CALDWELL-ASSOC.COM
License No: AR0007462 | License No: ID0003848

PROJECT ISSUES:
SCHEMATIC DESIGN: 6/25/2023
DESIGN DEVELOPMENT: 8/21/2023
100% CONSTRUCTION DOCUMENTS: 11/17/2023
CONFORMANCE SET 04/16/2024

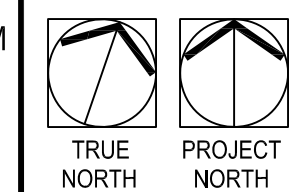
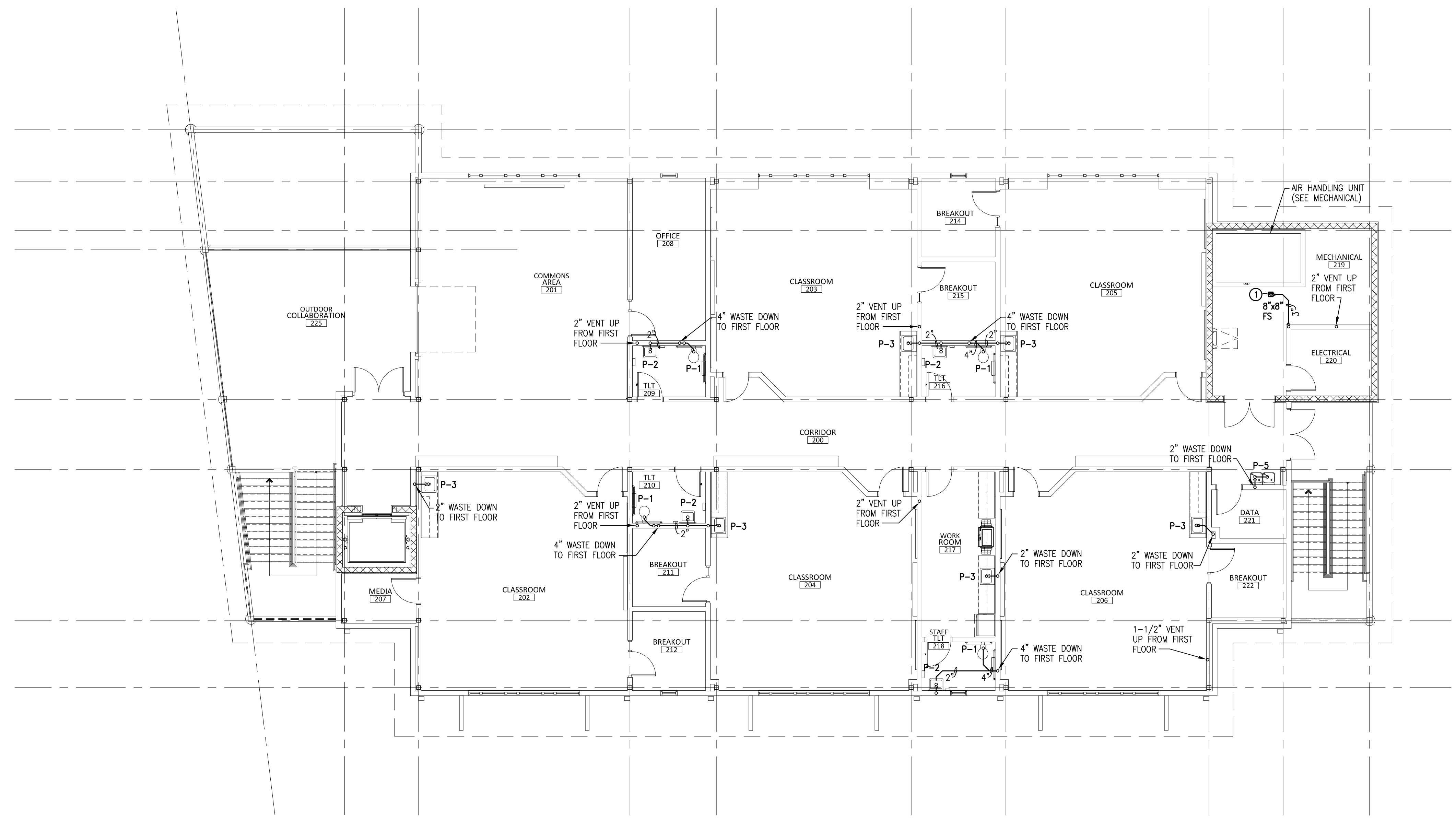
PROJECT TEAM:
CIVIL: KENNETH HORNE & ASSOCIATES
LANDSCAPING: FORME DESIGN GROUP
STRUCTURAL: MCCARTHY ENGINEERING
ARCHITECTURAL: CALDWELL ASSOCIATES
FIRE PROTECTION: H.M. YONGE & ASSOCIATES
MECHANICAL / PLUMBING: H.M. YONGE & ASSOCIATES
ELECTRICAL: KLOCKE ASSOCIATES

PROJECT:
CREATIVE LEARNING ACADEMY

**3151 HYDE PARK RD.
PENSACOLA, FL**

PROJECT NO. : 22028
SHEET TITLE:
WASTE PIPE
SECOND FLOOR PLAN

SHEET NUMBER:
P102



1 WASTE PIPE SECOND FLOOR PLAN
1/8" = 1'-0"

H.M. YONGE & ASSOCIATES, INC.
CONSULTING ENGINEERS // EST. 1988
51 EAST GREGORY STREET
PENSACOLA, FLORIDA 32502
PHONE: (850)434-2661
CERTIFICATION OF AUTHORIZATION No. 5254
MECHANICAL ENGINEER: HOWARD M. YONGE, P.E. FLORIDA REG. NO. 32093
MECHANICAL ENGINEER: TIMOTHY J. MITCHELL, P.E. FLORIDA REG. NO. 66792
ELECTRICAL ENGINEER: ARUN T. VARGHESE, P.E. FLORIDA REG. NO. 76315
H. M. YONGE AND ASSOC. JOB# 23-130

PROJECT ISSUES:

SCHEMATIC DESIGN: 6/25/2023

DESIGN DEVELOPMENT: 8/21/2023

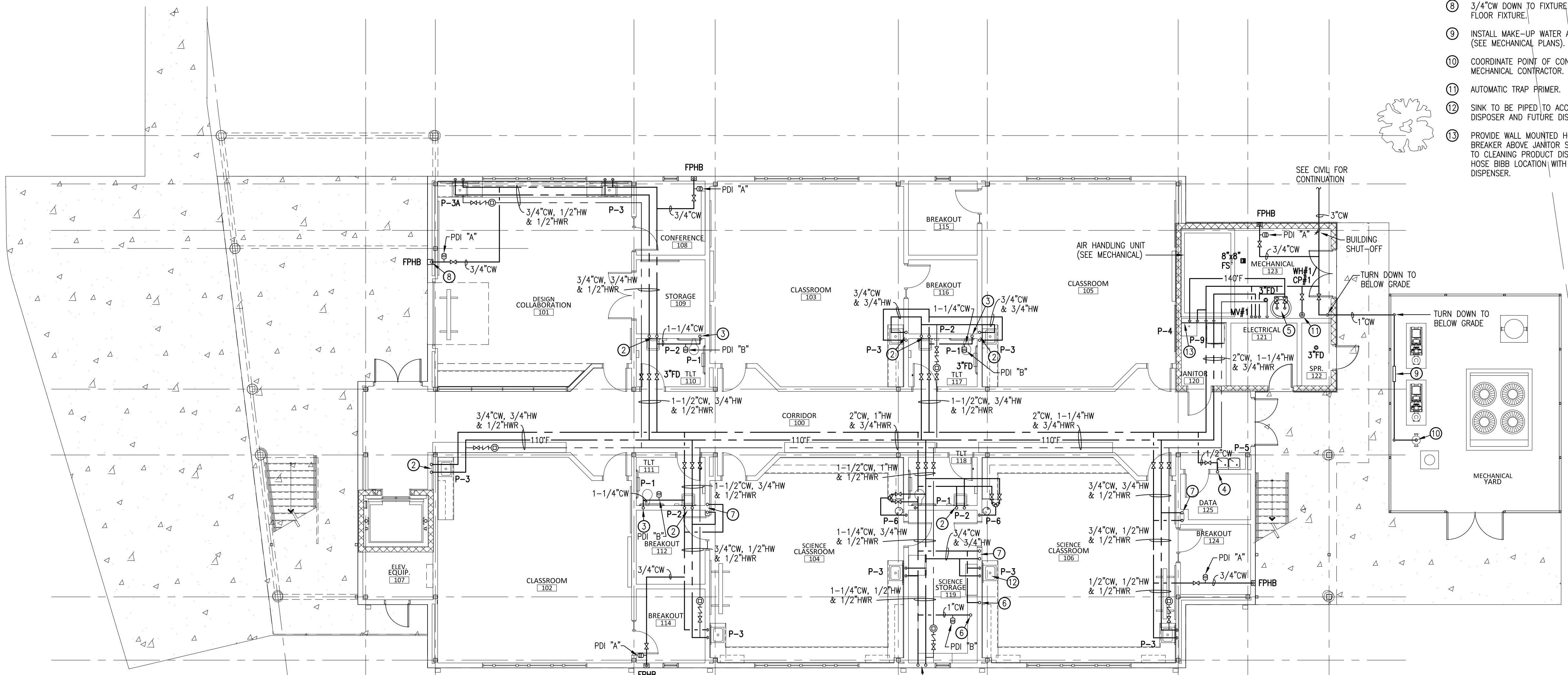
100% CONSTRUCTION DOCUMENTS: 11/17/2023

REVISION 2 02/28/2024

CONFORMANCE SET 04/16/2024

KEY NOTES:

- ① DROP INTO TOP OF 4" PIPE WITH WYE FITTING.
- ② 1/2"CW AND 1/2"HW DOWN TO FIXTURE AND UP TO SECOND FLOOR FIXTURE.
- ③ 1"CW DOWN TO FIXTURE AND UP TO SECOND FLOOR FIXTURE.
- ④ 1/2"CW DOWN TO FIXTURE AND UP TO SECOND FLOOR FIXTURE.
- ⑤ 1"CW AND 1"HW DOWN TO WATER HEATER.
- ⑥ 1"CW UP TO FIXTURE(S) ON SECOND FLOOR.
- ⑦ 1/2"CW AND 1/2" UP TO FIXTURE ON SECOND FLOOR.
- ⑧ 3/4"CW DOWN TO FIXTURE AND UP TO SECOND FLOOR FIXTURE.
- ⑨ INSTALL MAKE-UP WATER ASSEMBLY AT EYE LEVEL (SEE MECHANICAL PLANS).
- ⑩ COORDINATE POINT OF CONNECTION WITH THE MECHANICAL CONTRACTOR.
- ⑪ AUTOMATIC TRAP PRIMER.
- ⑫ SINK TO BE PIPED TO ACCOMMODATE FUTURE GARBAGE DISPOSER AND FUTURE DISHWASHER.
- ⑬ PROVIDE WALL MOUNTED HOSE BIBB WITH VACUUM BREAKER ABOVE JANITOR SINK FOR HOSE CONNECTION TO CLEANING PRODUCT DISPENSER. COORDINATE THE HOSE BIBB LOCATION WITH THE LOCATION OF THE DISPENSER.



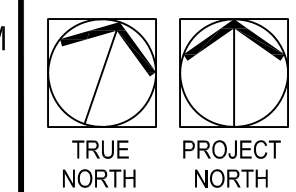
- PROJECT TEAM:**
- CIVIL: KENNETH HORNE & ASSOCIATES
 - LANDSCAPING: FORME DESIGN GROUP
 - STRUCTURAL: MCCARTHY ENGINEERING
 - ARCHITECTURAL: CALDWELL ASSOCIATES
 - FIRE PROTECTION: H.M. YONGE & ASSOCIATES
 - MECHANICAL / PLUMBING: H.M. YONGE & ASSOCIATES
 - ELECTRICAL: KLOCKE ASSOCIATES

PROJECT:
CREATIVE LEARNING ACADEMY

**3151 HYDE PARK RD.
PENSACOLA, FL**

PROJECT NO.: 22028
SHEET TITLE:
WATER PIPE
FIRST FLOOR PLAN

SHEET NUMBER:
P201



1
1/8" = 1'-0"

WATER PIPE FIRST FLOOR PLAN

H.M. YONGE & ASSOCIATES, INC.
CONSULTING ENGINEERS // EST. 1988
51 EAST GREGORY STREET
PENSACOLA, FLORIDA 32502
PHONE: (850)434-2661

CERTIFICATION OF AUTHORIZATION No. 5254
MECHANICAL ENGINEER: HOWARD M. YONGE, P.E. FLORIDA REG. NO. 32093
MECHANICAL ENGINEER: TIMOTHY J. MITCHELL, P.E. FLORIDA REG. NO. 66792
ELECTRICAL ENGINEER: ARUN T. VARGHESE, P.E. FLORIDA REG. NO. 76315

H.M. YONGE AND ASSOC. JOB# 23-130

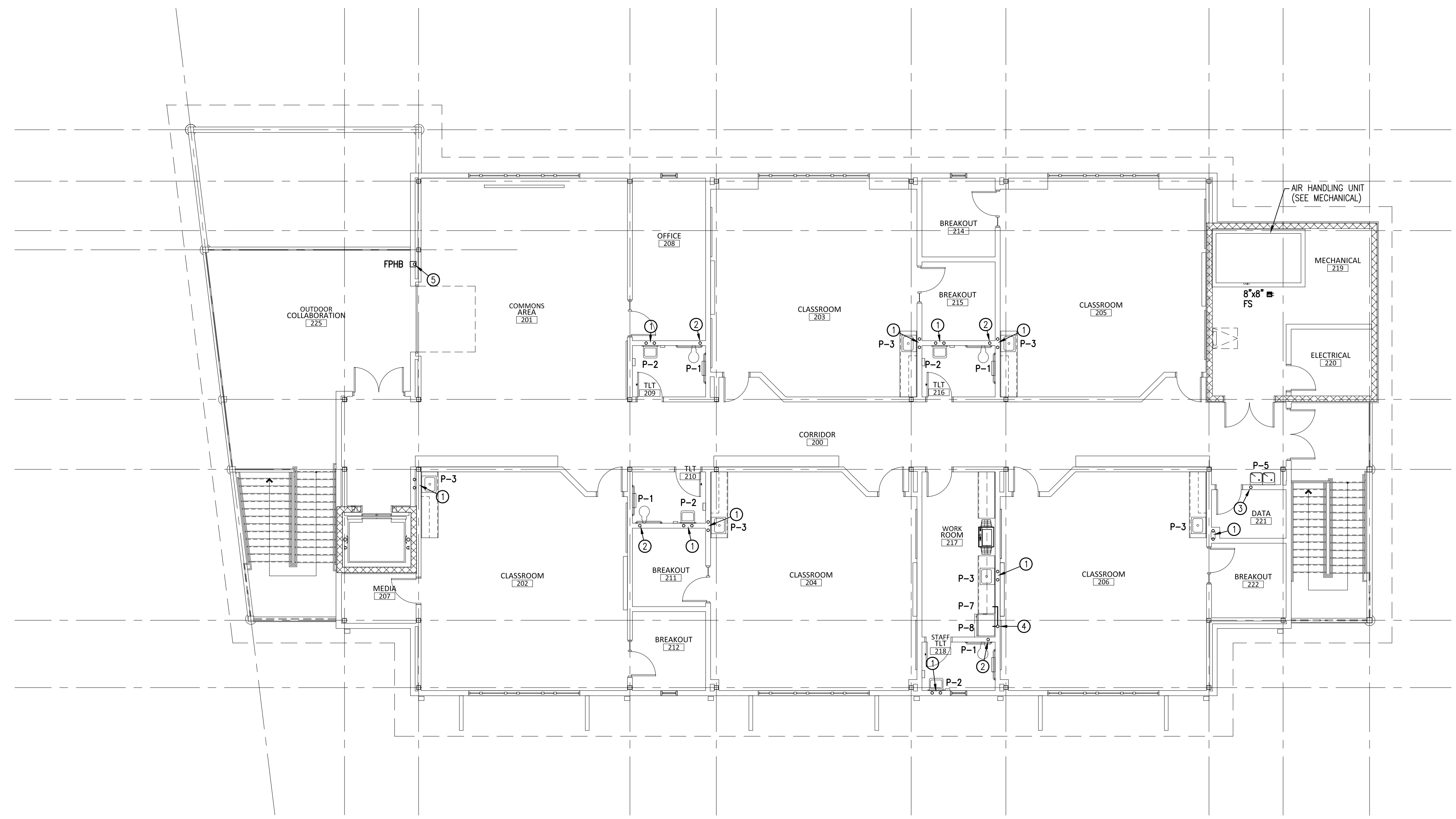
DO NOT SCALE DRAWINGS

1 2 3 4 5 6 7 8 9 10 11 12 13 14 15 16

A
B
C
D
E
F
J
H
J
K
L
M

KEY NOTES:

- ① 1/2" CW AND 1/2" CW UP FROM BELOW.
- ② 1" CW UP FROM BELOW.
- ③ 1/2" CW UP FROM BELOW.
- ④ 1/2" CW UP FROM BELOW. OFFSET IN WALL TO BOTH FIXTURE LOCATIONS.
- ⑤ 3/4" CW UP FROM BELOW.



CALDWELL
ASSOCIATES | ARCHITECTS
116 N TARRAGONA STREET, PENSACOLA, FL 32502
(850) 432 9500 | CALDWELL-ASSOC.COM

License No: AR0007442 | License No: ID0003848

PROJECT ISSUES:

SCHEMATIC DESIGN:	6/25/2023
DESIGN DEVELOPMENT:	8/21/2023
100% CONSTRUCTION DOCUMENTS:	11/17/2023
CONFORMANCE SET	04/16/2024

PROJECT TEAM:

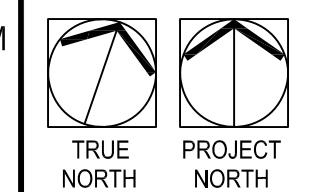
CIVIL
KENNETH HORNE & ASSOCIATES
LANDSCAPING
FORME DESIGN GROUP
STRUCTURAL
MCCARTHY ENGINEERING
ARCHITECTURAL
CALDWELL ASSOCIATES
FIRE PROTECTION
H.M. YONGE & ASSOCIATES
MECHANICAL / PLUMBING
H.M. YONGE & ASSOCIATES
ELECTRICAL
KLOCKE ASSOCIATES

PROJECT:
CREATIVE LEARNING ACADEMY

**3151 HYDE PARK RD.
PENSACOLA, FL**

PROJECT NO. : 22028
SHEET TITLE:
WATER PIPE
SECOND FLOOR PLAN

SHEET NUMBER:
P202



1 WATER PIPE SECOND FLOOR PLAN
1/8" = 1'-0"

H.M. YONGE & ASSOCIATES, INC.
CONSULTING ENGINEERS // EST. 1988
51 EAST GREGORY STREET
PENSACOLA, FLORIDA 32502
PHONE: (850)434-2661

CERTIFICATION OF AUTHORIZATION No. 5254
MECHANICAL ENGINEER: HOWARD M. YONGE, P.E. FLORIDA REG. NO. 32093
MECHANICAL ENGINEER: TIMOTHY J. MITCHELL, P.E. FLORIDA REG. NO. 66792
ELECTRICAL ENGINEER: ARUN T. VARGHESE, P.E. FLORIDA REG. NO. 76315

H.M. YONGE AND ASSOC. JOB# 23-130

PROJECT ISSUES:

SCHEMATIC DESIGN:	6/25/2023
DESIGN DEVELOPMENT:	8/21/2023
100% CONSTRUCTION DOCUMENTS:	11/17/2023
CONFORMANCE SET	04/16/2024

PROJECT TEAM:

CIVIL	KENNETH HORNE & ASSOCIATES
LANDSCAPING	FORME DESIGN GROUP
STRUCTURAL	MCCARTHY ENGINEERING
ARCHITECTURAL	CALDWELL ASSOCIATES
FIRE PROTECTION	H.M. YONGE & ASSOCIATES
MECHANICAL / PLUMBING	H.M. YONGE & ASSOCIATES
ELECTRICAL	KLOCKE ASSOCIATES

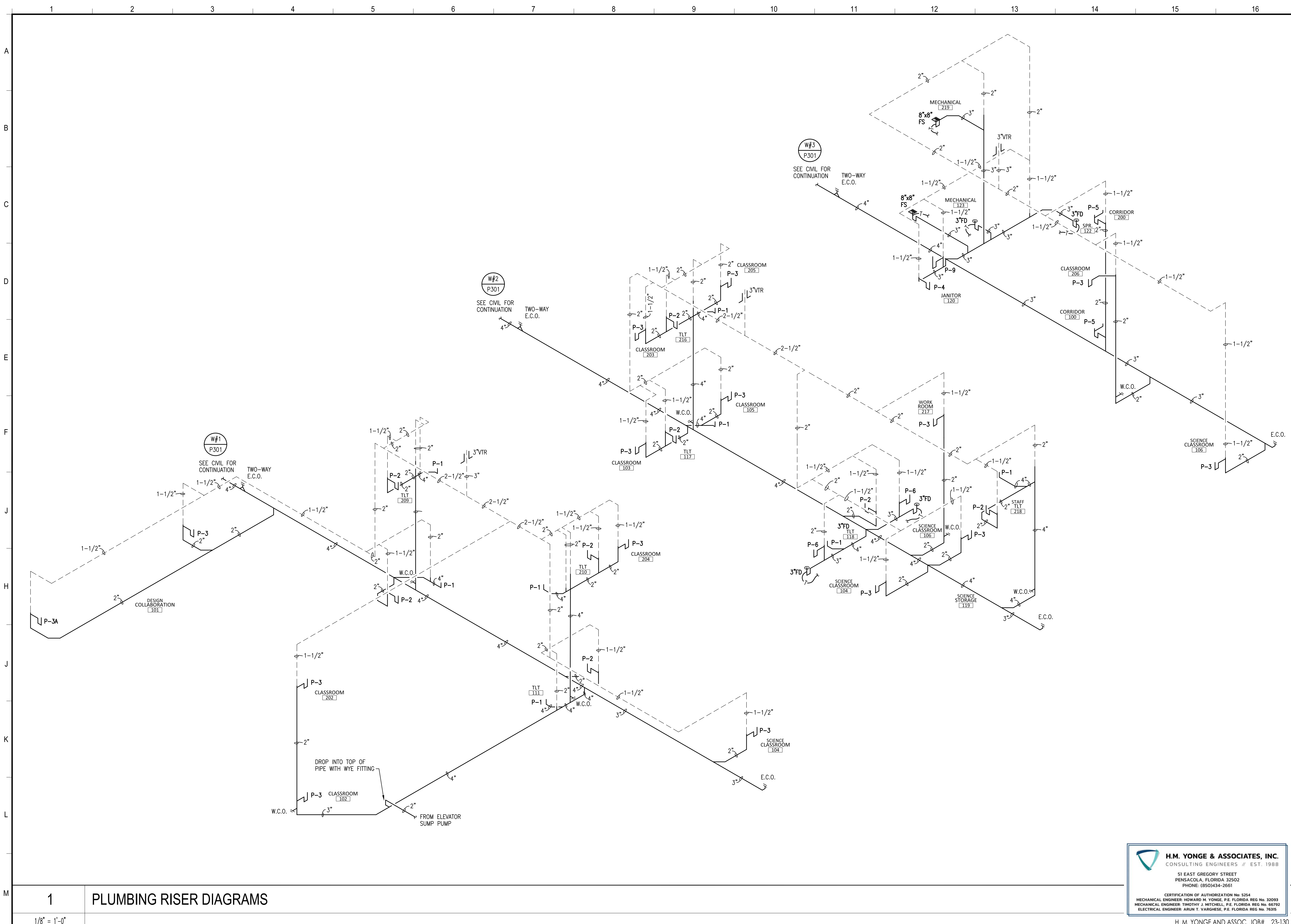
PROJECT:
CREATIVE LEARNING ACADEMY

3151 HYDE PARK RD.
PENSACOLA, FL

PROJECT NO. : 22028
SHEET TITLE:
PLUMBING RISER DIAGRAMS

SHEET NUMBER:

P301



1 PLUMBING RISER DIAGRAMS

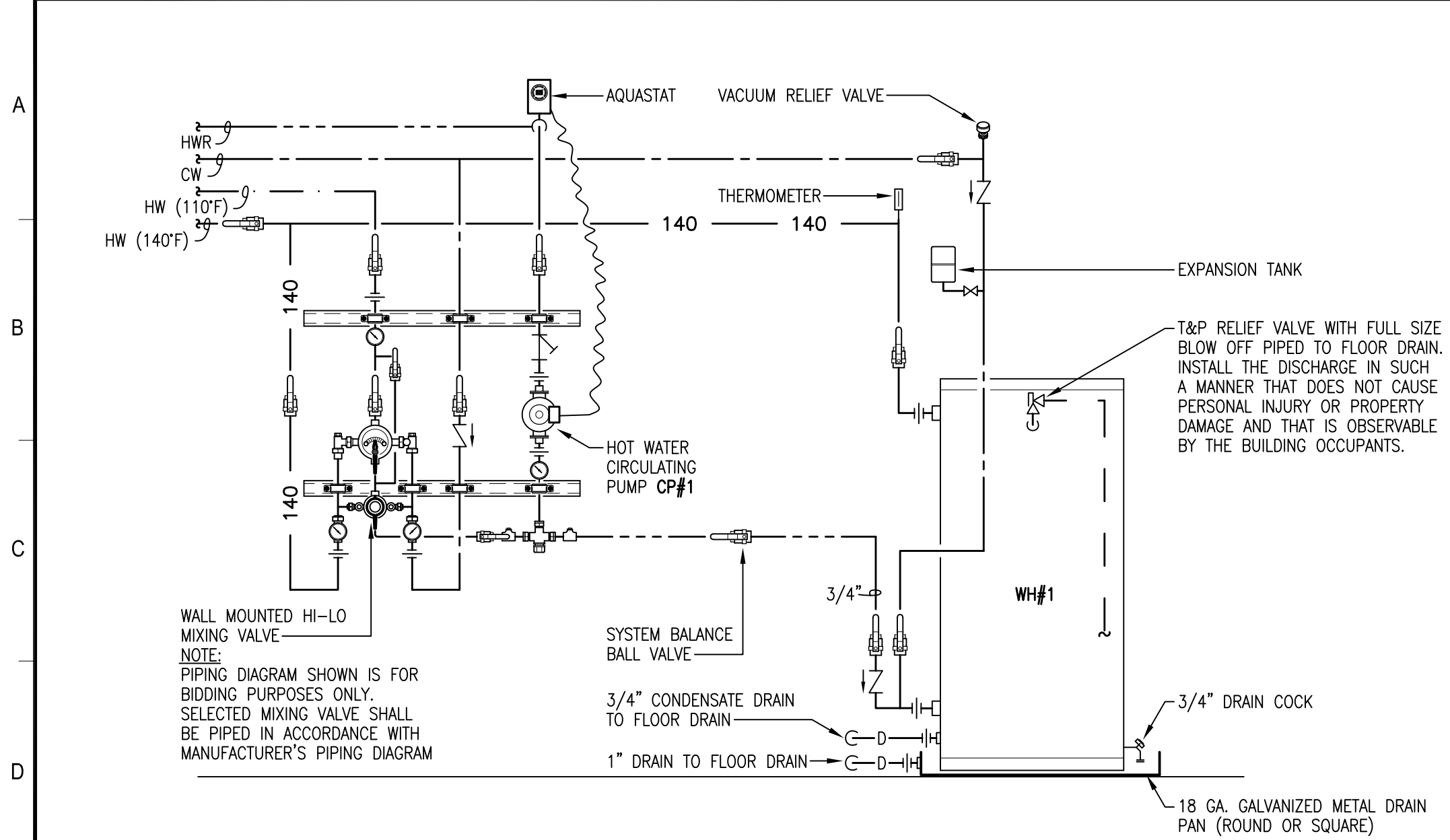
1/8" = 1'-0"

H.M. YONGE & ASSOCIATES, INC.
CONSULTING ENGINEERS // EST. 1988
51 EAST GREGORY STREET
PENSACOLA, FLORIDA 32502
PHONE: (850)434-2661

CERTIFICATION OF AUTHORIZATION No. 5254
MECHANICAL ENGINEER: HOWARD M. YONGE, P.E. FLORIDA REG. NO. 32093
MECHANICAL ENGINEER: TIMOTHY J. MITCHELL, P.E. FLORIDA REG. NO. 66792
ELECTRICAL ENGINEER: ARUN T. VARGHESE, P.E. FLORIDA REG. NO. 76315

H.M. YONGE AND ASSOC. JOB# 23-130

DO NOT SCALE DRAWINGS



PLUMBING FIXTURE CONNECTION SCHEDULE

MARK	FIXTURE	CONNECTIONS				MAX. FIXTURE FLOW RATE	DESCRIPTION
		WASTE	CW	HW (110°F)	HW (140°F)		
P-1	WATER CLOSET (ADA)	4"	1"	--	--	1.6 (gpf)	WALL HUNG, BACK OUTLET, TOP SPUD, 18" HIGH ELONGATED BOWL AND NARROW WALL CARRIER. OPEN SEAT/LESS COVER. BATTERY POWERED, AUTOMATIC FLUSH VALVE WITH VACUUM BREAKER.
P-2	LAVATORY (WALL HUNG, ADA)	1-1/4"	1/2"	1/2"	--	1.0 (gpm)	20"x18", WALL HUNG, SINGLE SIDE LEVER RIGID GOOSENECK FAUCET, GRID DRAIN, 1-1/4" P-TRAP, TRAP WRAP, FLEXIBLE SUPPLIES, WALL STOPS AND FLOOR SUPPORTED CONCEALED ARM CARRIER. SEE ARCHITECTURAL DRAWINGS FOR MOUNTING HEIGHT.
P-3	HAND SINK	1-1/2"	1/2"	1/2"	--	1.0 (gpm)	20"x17", STAINLESS STEEL, SINGLE COMP., 3 HOLE. RIGID GOOSENECK FAUCET, GRID STRAINER, 1-1/2" P-TRAP AND PAIR OF FLEXIBLE SUPPLIES WITH STOPS.
P-3A	HAND SINK W/ EYEWASH	1-1/2"	1/2"	1/2"	--	1.0 (gpm)	20"x17", STAINLESS STEEL, SINGLE COMP., 3 HOLE. RIGID GOOSENECK FAUCET, FAUCET MOUNTED EYEWASH, GRID STRAINER, 1-1/2" P-TRAP AND PAIR OF FLEXIBLE SUPPLIES WITH STOPS.
P-4	JANITORS SINK	3"	1/2"	--	1/2"	1.5 (gpm)	FLOOR MOUNTED 32"x32"x12" TERRAZZO CORNER SERVICE BASIN, 3" OUTLET, WALL MOUNTED FAUCET SHALL BE CHROME PLATED W/VACUUM BREAKER STOPS, WALL BRACE AND PAIL HOOK.
P-5	HI/LOW ELECTRIC WATER COOLER W/ BOTTLE FILLER (ADA)	1-1/4"	1/2"	--	--	EXEMPT	WALL HUNG, ADA APPROVED, HI/LOW WATER COOLER AND BOTTLE FILLER WITH 1-1/2", 17 GA P-TRAP, FLEXIBLE SUPPLY W/ANGLE STOP. FLOOR MOUNTED CARRIER W/ BEARING PLATE. SEE ARCHITECTURAL DRAWINGS FOR MOUNTING HEIGHT.
P-6	EMERGENCY EYEWASH/SHOWER	--	1/2"	1/2"	--	EXEMPT	COMBINATION EYEWASH SHOWER WITH WALL BRACKETS AND DRAIN. PROVIDE ANSI Z358.1 COMPLIANT MIXING VALVE, FLEXIBLE SUPPLY AND WALL STOPS.
P-7	COFFEE MAKER VALVE BOX	--	1/2"	--	--	EXEMPT	RECESSED TYPE WITH COLD WATER STOP, MOUNT 6" ABOVE COUNTER TOP.
P-8	ICE MAKER VALVE BOX	--	1/2"	--	--	EXEMPT	RECESSED TYPE WITH COLD WATER STOP, MOUNT 48" AFF.
P-9	WASHING MACHINE VALVE BOX	2"	1/2"	1/2"	--	EXEMPT	RECESSED IN WALL WITH TWO 1/2" WATER CONNECTIONS AND 2" CENTERED DRAIN CONNECTION.

PLUMBING LEGEND

---	COLD WATER PIPING
---	HOT WATER PIPING
---	HOT WATER RETURN PIPING
---	WASTE PIPING
---	VENT PIPING
---	BALL VALVE
---	WATER HAMMER ARRESTOR
---	CHECK VALVE
---	BALANCING VALVE
---	P-TRAP
---	CONNECT NEW TO EXISTING
CO	CLEANOUT
CW	COLD WATER
ECO	EXTERIOR CLEANOUT
EX	EXISTING
FCO	FLOOR CLEANOUT
FD	FLOOR DRAIN
FS	FLOOR SINK
HT	HIGH TEMPERATURE
HW	HOT WATER
HWR	HOT WATER RETURN
IA	INSTRUMENT AIR
RO	REVERSE OSMOSIS
ROR	REVERSE OSMOSIS RETURN
ROS	REVERSE OSMOSIS SUPPLY
ST	STANDARD TEMPERATURE
WCO	WALL CLEANOUT

NOTE: ALL PLUMBING FIXTURES SHALL BE WHITE, UNLESS INDICATED OTHERWISE.
PLUMBING CONTRACTOR SHALL COORDINATE ALL PLUMBING FIXTURES AND ROUGH-IN REQUIREMENTS WITH EQUIPMENT SUPPLIER.

HOT WATER CIRCULATING PUMP SCHEDULE

MARK	CONTROL WITH	CAPACITY GPM	T.D.H. FEET	MAX. RPM	PUMP CONSTRUCTION	PUMP SIZE	MOTOR H.P.	ELECTRICAL			REMARKS
								VOLTS	HZ	Ø	
CP#1	STRAP ON AQUASTAT	10	25	3450	CARTRIDGE/BRONZE	1"	1/6	120	60	1	

WATER HEATER SCHEDULE

MARK	CAPACITY (GALLONS)	RECOVERY GPH @ 100° RISE	ELECTRICAL DATA			REMARKS
			VOLTS	PHASE	HZ KW	
WH#1	80	50	460	3	60 12.0	NOTES 1, 2, 3

WATER HAMMER ARRESTOR

PPP SIZE	FIXTURE UNITS	CROSS REF PDI
1/2"	1-11	A
3/4"	12-32	B
1"	33-60	C
1-1/4"	61-113	D
1-1/2"	114-154	E
2"	155-330	F

NOTES:
1. TWO NON-SIMULTANEOUS HEATING ELEMENTS.
2. WATER HEATER SHALL BE ASHRAE 90.1-2013 COMPLIANT.
3. SET OUTLET TEMPERATURE TO 140°F.

MIXING VALVE SCHEDULE

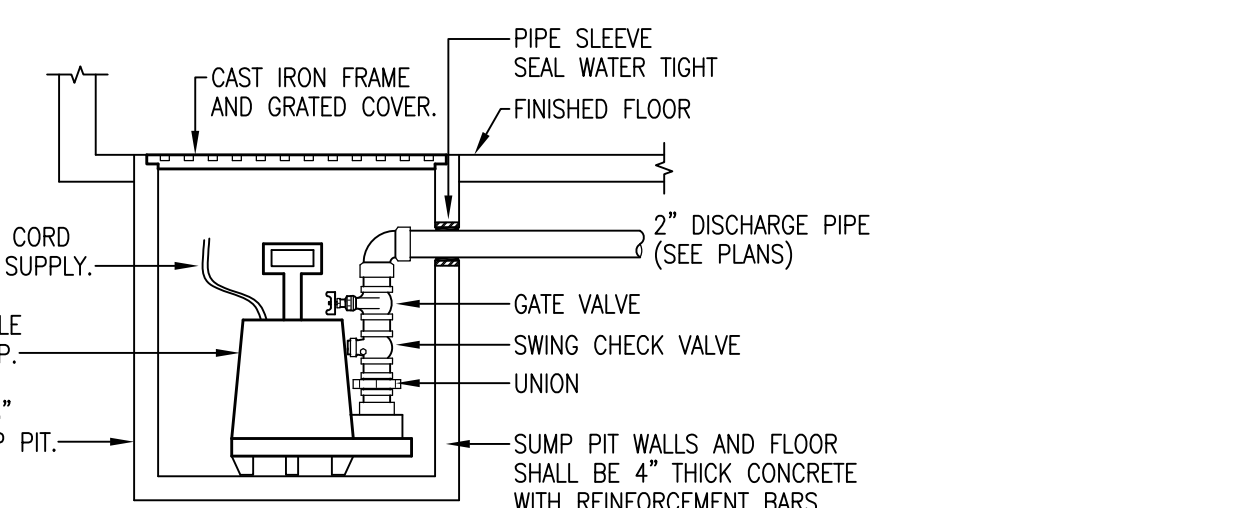
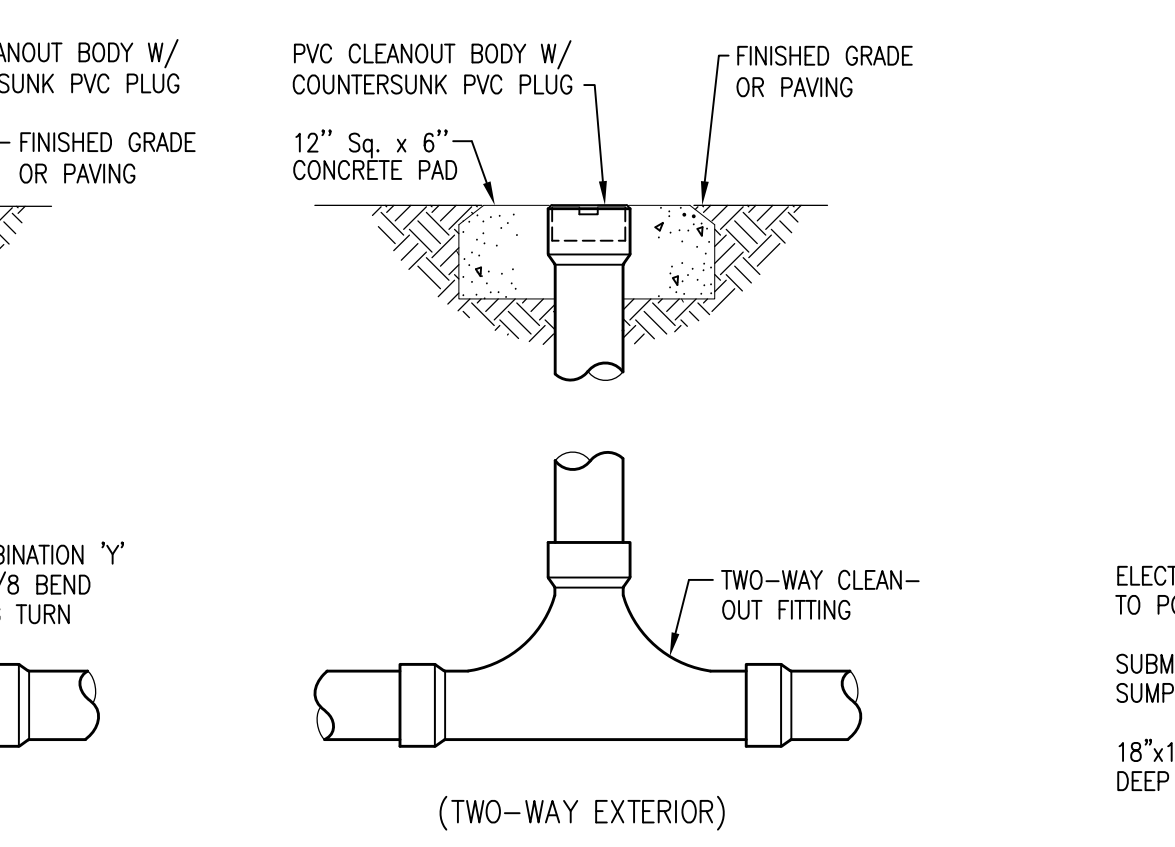
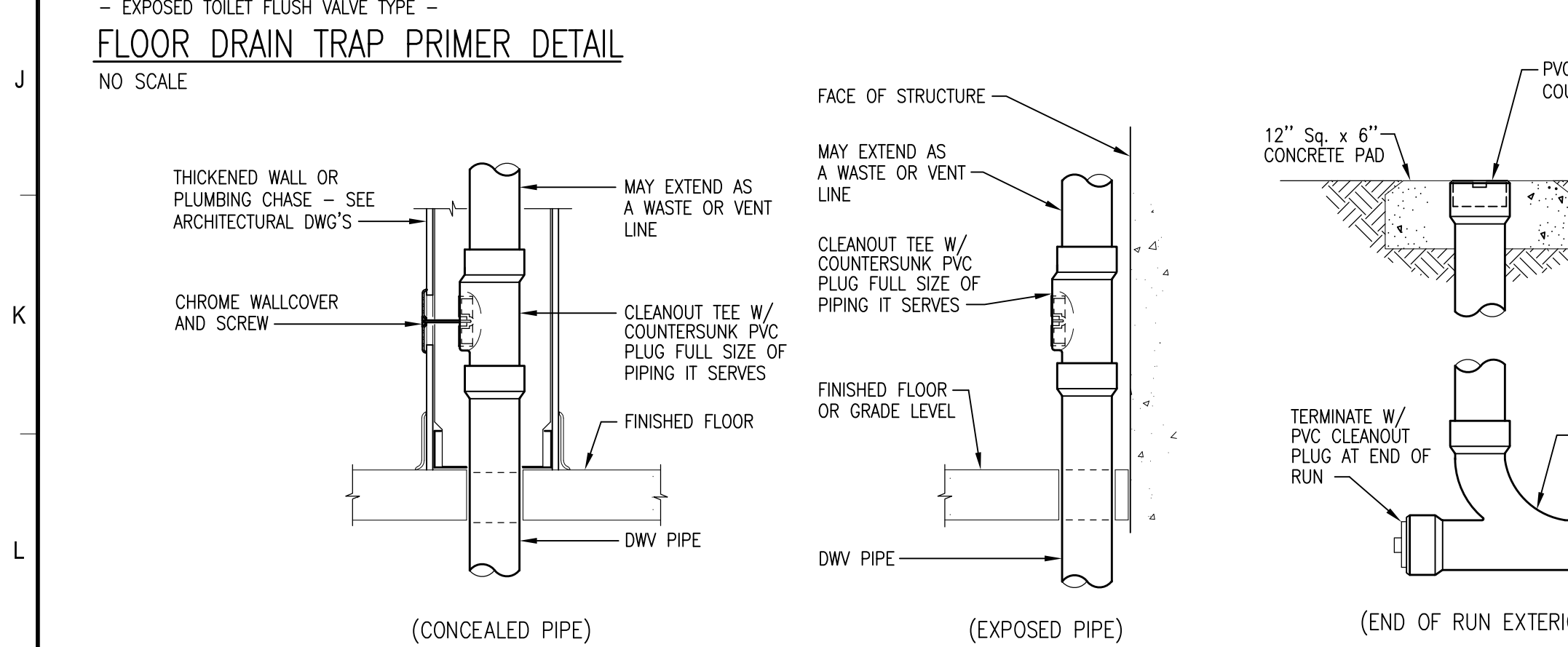
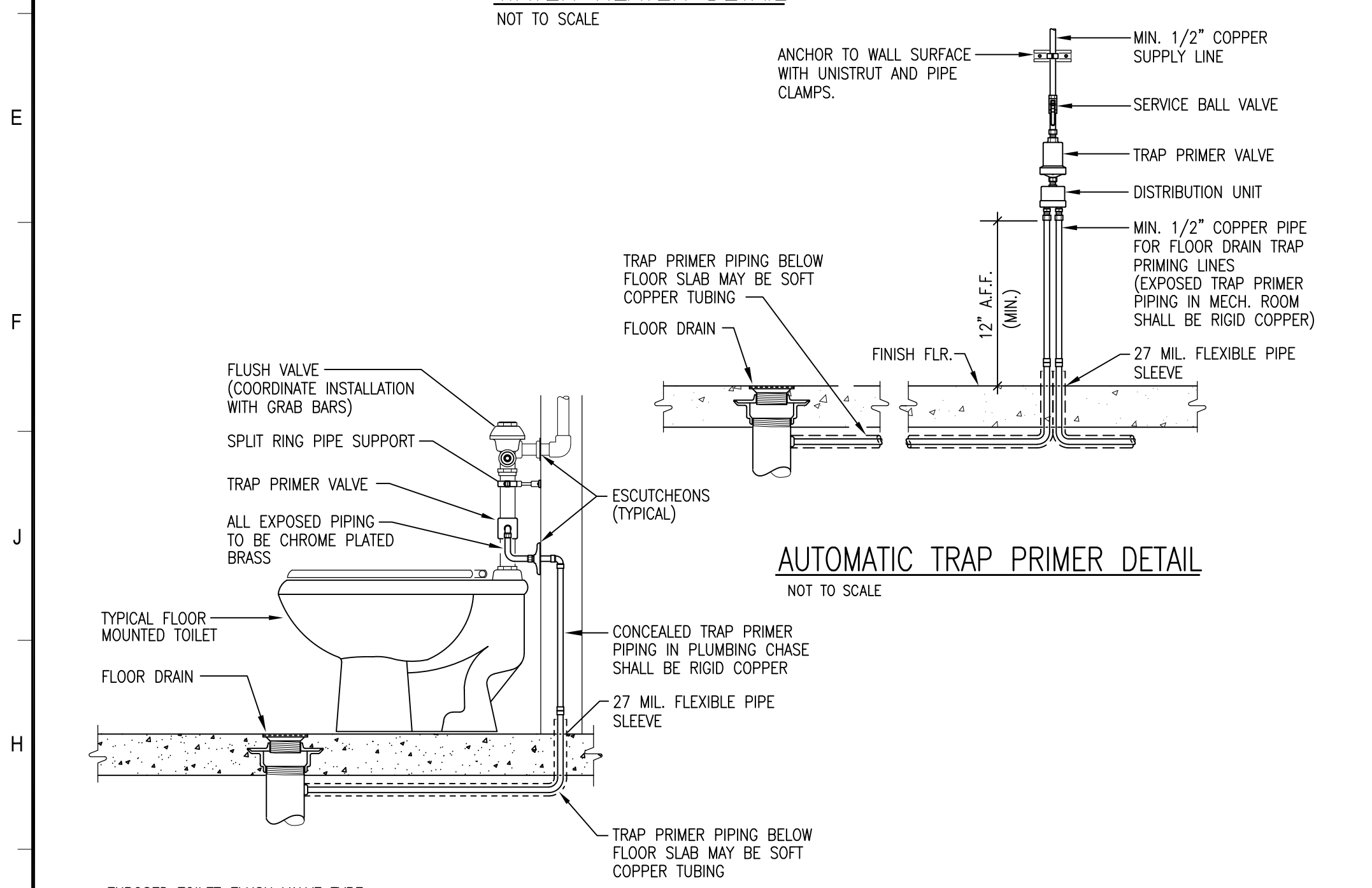
MARK	INLET PIPE SIZE	OUTLET PIPE SIZE	DESIGN FLOW (GPM)	MAX. DIFF. PRESS.	METERED TEMPERATURE	REMARKS
MV-1	1"	1-1/4"	25	5 PSI	110°	NOTES 1, 2, 3

NOTES:
1. MINIMUM FLOW SHALL BE 1.0 GPM.
2. CONTRACTOR SHALL PIPE VALVE PER SPECIFIC MANUFACTURER'S RECOMMENDATIONS FOR A RECIRCULATED SYSTEM.
3. MIXING VALVE SHALL FULLY COMPLY WITH ASSE 1017

SUMP PUMP SCHEDULE

UNIT TAG	ELEVATOR SERVED	GPM	TDH	MOTOR HP	DISCHARGE	CONTROL	TYPE	ELECTRICAL			REMARKS
								VOLTS	HZ	PH FLA	
SP#1	ELEVATOR SHAFT	50	14'	0.5	2"	FLOAT SWITCH	SUBMERSIBLE	120	60	1 8.0	NOTES 1, 2

1. BASIS OF DESIGN - STANCOR OIL MINDER SESO.
2. PROVIDE WITH PUMP ON FLOAT, HIGH ALARM FLOAT, CONTROL PANEL AND POWER CABLE.



License No: AR0007442 | License No: ID0003848
PROJECT ISSUES:
SCHEMATIC DESIGN: 6/25/2023
DESIGN DEVELOPMENT: 8/21/2023
100% CONSTRUCTION DOCUMENTS: 11/17/2023
REVISION 2: 02/28/2024
CONFORMANCE SET: 04/16/2024

PROJECT TEAM:
CIVIL: KENNETH HORNE & ASSOCIATES
LANDSCAPING: FORME DESIGN GROUP
STRUCTURAL: MCCARTHY ENGINEERING
ARCHITECTURAL: CALDWELL ASSOCIATES
FIRE PROTECTION: H.M. YONGE & ASSOCIATES
MECHANICAL / PLUMBING: H.M. YONGE & ASSOCIATES
ELECTRICAL: KLOCKE ASSOCIATES

PROJECT:
CREATIVE LEARNING ACADEMY

3151 HYDE PARK RD. PENSACOLA, FL

PROJECT NO.: 22028
SHEET TITLE: PLUMBING SCHEDULES, LEGEND AND DETAILS

SHEET NUMBER: **P401**

H.M. YONGE & ASSOCIATES, INC.
CONSULTING ENGINEERS // EST. 1988
51 EAST GREGORY STREET
PENSACOLA, FLORIDA 32502
PHONE: (850)434-2661
CERTIFICATION OF AUTHORIZATION No. 5254
MECHANICAL ENGINEER: HOWARD M. YONGE, P.E. FLORIDA REG. NO. 32093
MECHANICAL ENGINEER: TIMOTHY J. MITCHELL, P.E. FLORIDA REG. NO. 66792
ELECTRICAL ENGINEER: ARUN T. VARGHESE, P.E. FLORIDA REG. NO. 76315
H.M. YONGE AND ASSOC. JOB# 23-130