

SOLICITATION W50S6Y-25-B-A004 Combine Weapons Fac- LSGA239001

Addendum 02 Q&A

Date of Bid Inquiry: 2/28/2025

Questions 6:

Ref. CS101, Notes 3 & 4: These notes references "Items 1-5". Please clarify where in the documents these items are defined.

AE.

Response: Please refer to the attached document, TO 33AA14-2-11. The detail included in this document illustrates items 1-5, which are referenced in Notes 3 & 4 on Sheet CS101.

REFERENCE MATERIAL REQUIRED

Publication Number

Publication Title

AWS D1.1

American Welding Society (AWS) Structural Welding Code - Steel

MIL-STD-162

Materials Handling Equipment: Preparation for Shipment, Storage, Cyclic Maintenance, Routine Testing and Processing

MIL-STD-281

Automobiles, Trucks, Truck-Tractors, Trailers and Trailer Dollies; Preservation and Packaging of

APPLICABLE TCTOS

NONE

CONSUMABLE MATERIALS

NONE

APPLICABLE SUPPORT EQUIPMENT

Part Number

Nomenclature

CAGE Code

-

Overhead Hoist, 2 ton capacity or crane

-

1 INTRODUCTION.

This Work Package (WP) contains instruction for use and shipment of the jack tester.

2 PREPARATION FOR USE.

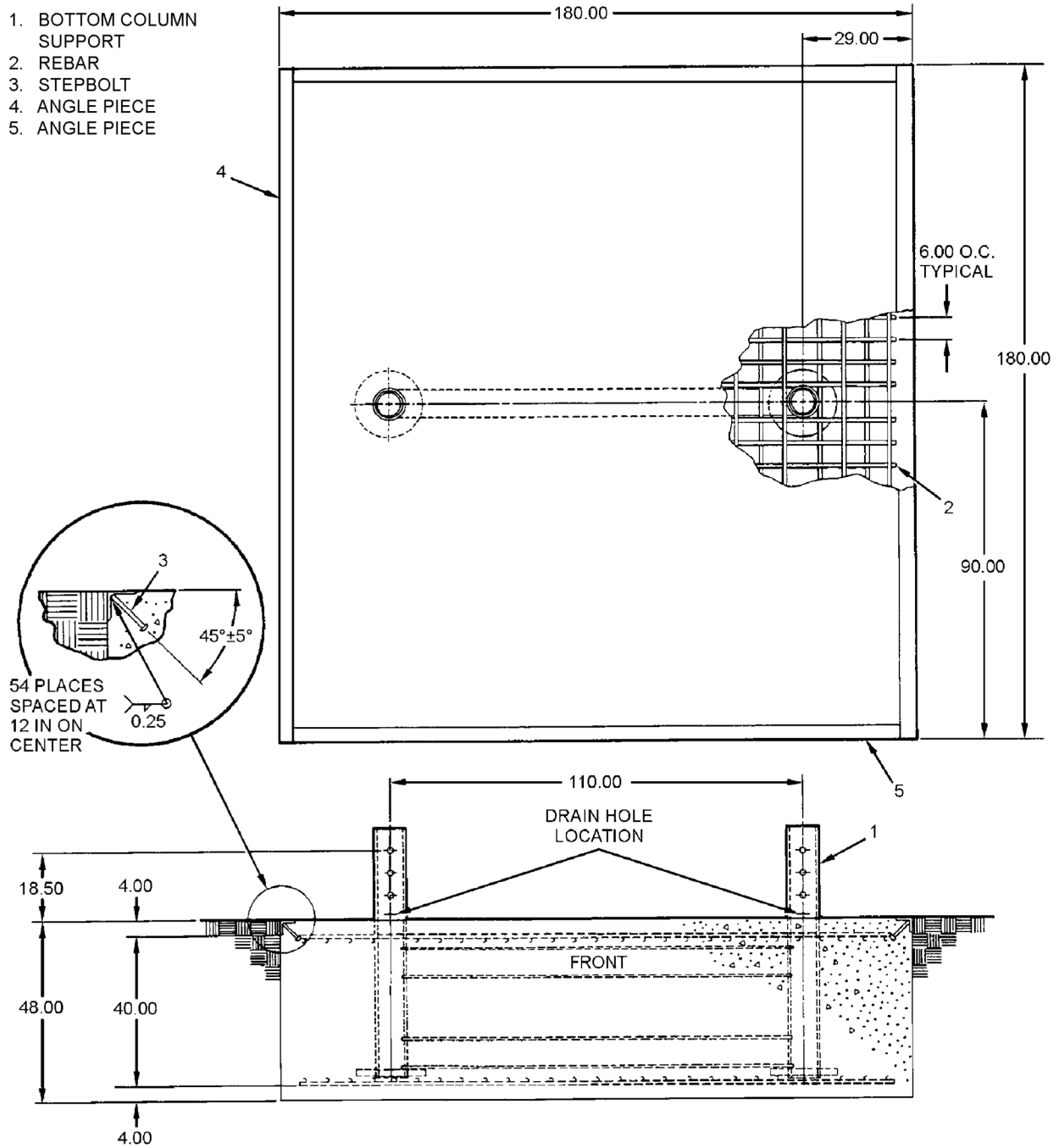
2.1 Foundation Installation. Install the foundation for the jack tester as follows:

NOTE

- Foundation installation instructions (Figure 1) in this manual are typical of most installations. Drawing number 7186-F provides foundation instructions and may be requested from 642 CBSG/GBEA, Robins AFB, GA 31098.
 - The jack tester cannot be installed if the ceiling height is less than the minimum specified below.
- a. If the jack tester will be located indoors, you must calculate the ceiling height necessary to permit installation. The minimum height necessary is 23 feet plus the height of the lifting device used to install the components into the foundation. This height is not sufficient to permit installation of pre-assembled columns and top column support, but will permit installation of each part separately. More time is necessary to install components with this procedure. Pre-assembled columns and top column support may be installed if the available ceiling height is 25 feet plus the height of the hoist.

LEGEND:

- 1. BOTTOM COLUMN SUPPORT
- 2. REBAR
- 3. STEPBOLT
- 4. ANGLE PIECE
- 5. ANGLE PIECE



TO-33AA14-2-11-004

Figure 1. Fabrication Detail for the Foundation

NOTE

The foundation drawing shown in Figure 1 is typical of most installations, but soil and topographical conditions at each location are different. It may be necessary to change the configuration of the foundation drawing to adjust to local conditions.

- b. Minimum soil bearing pressure for the foundation is 1,500 pounds per square foot. If the soil conditions do not permit this pressure, then the foundation design must be changed. A civil engineer must adapt the design to adjust to local conditions.
- c. The materials necessary to make the foundation are found in Table 1.

Table 1. Foundation Materials

Nomenclature	Part Number/Size	Specification	Commercial and Government Entity (CAGE) Code
Angle, structural steel	4x4x3/8, x 160 inches long	ASTM A36	81346
Angle, structural steel	4x4x3/8, x 180 inches long	ASTM A36	81346
Bolt, carriage	MS35751-139	NASM35751	80205
Concrete, Portland cement mix	3,000 Pounds-force per Square Inch (PSI) minimum	-	-
Rebar, concrete reinforcing	Size 8, grade 60	ASTM A615	81346
Support	7186-3	-	0FC01

d. To make the foundation, follow these instructions:

- (1) Prepare the foundation area by removing material from a space 180 inches long x 180 inches wide x 48 inches deep as shown in Figure 1.



- If the bottom column support is not installed in the correct position, the location of the ladders and the operator's station will be incorrect. This can prevent full use of the jack tester. Failure to comply could result in damage to, or destruction of, equipment or loss of mission effectiveness.
- Upright parts of the bottom column support must be vertical to the floor within 0.5 degrees or the jack tester will not operate correctly. Failure to comply could result in damage to, or destruction of, equipment or loss of mission effectiveness.

- (2) Install the bottom column support as shown in Figure 1. The word FRONT must point in the direction of the operator. Upright parts of the bottom column support must be vertical to the floor within 0.5 degrees.
- (3) Install the rebar (2). Spotweld the rebar to the bottom column support (1) where the pieces touch, in accordance with AWS D1.1.
- (4) Weld the stepbolts (3) to the angle pieces (4, 5). Weld the angle pieces (4, 5) together, in accordance with AWS D1.1.



The angle assembly must be level within 0.5 degrees or the jack tester will not operate correctly. Failure to comply could result in damage to, or destruction of, equipment or loss of mission effectiveness.

- (5) Install the angle (4, 5) assembly. Angle assembly must be level within 0.5 degrees.



- Do not fill in the drain holes with concrete or moisture will collect at bottom of the support and cause corrosion. Refer to Figure 1 for drain hole location. Failure to comply could result in damage to, or destruction of, equipment or loss of mission effectiveness.
- The concrete floor must be level within 0.5 degrees or the jack tester will not operate correctly. Failure to comply could result in damage to, or destruction of, equipment or loss of mission effectiveness.
- If the concrete does not cure for the specified time, the foundation will be unstable. Failure to comply could result in damage to, or destruction of, equipment or loss of mission effectiveness.

NOTE

- The concrete must have a minimum compressive strength of 3,000 Pounds-force per Square Inch (PSI).
 - If the building has a concrete slab, the foundation must be made flush with the slab. A preformed 3/4 inch expansion joint is necessary around the outer edge of the foundation.
- (6) Fill the foundation area with concrete. Fill the bottom column support (1) posts with concrete up to the level of the 1/2 inch drain holes. The concrete must cure for 30 days, minimum.

2.2 Initial Setup. Perform initial setup of the jack tester as follows:

NOTE

Most components of the jack tester are assembled by the manufacturer before shipment. Only primary components must be assembled during initial setup.

2.2.1 25 Foot Ceiling. The subsequent procedure may be used to save assembly time, but only if the ceiling height is 25 feet or more, plus the height of the hoist (Table 2). If the ceiling height is less than this quantity, refer to Paragraph 2.2.2.

NOTE

Ensure pins (WP 998 00, Figure 1, 52) on beam assembly (46) are located to the front. Refer to WP 004 00, Figure 1.

- Set the beam assembly (WP 998 00, Figure 1, 46) on to the bottom column support (57). Use the hoist. Align the bore holes in the beam assembly and the bottom column support.
- Install the columns (55, 56) in the top column support (41). Install the screws (42), the lockwashers (43), the washers (44) and the nuts (45).
- Attach the hoist (2) to the top column support (41).

NOTE

Top column support is stenciled "FRONT".

- Lift the top column support (41) and attached parts (55, 56). Put the columns (55, 56) into the bottom column support (57). Install the screws (42) the lockwashers (43), the washers (44) and the nuts (45). Do not tighten the nuts.
- Install adjusting screws (62) in the bottom column support (57) and tighten until columns (55, 56) are vertical within 0.5 degrees. Tighten nuts (45).
- Install the brace (32) and the bracket (35) on the ladder (24) with the screws (25) the washers (26) and the nuts (27).
- Install the ladder (24) and attached parts (32, 35) on the column (55) with the screws (33, 36) and the washers (34, 37). Ensure ladder with control box bracket (11) is mounted on front left side.
- Install the brace (32) and the bracket (38) on the column (56) with the screws (33, 39) and the washers (34, 40).

- i. Install the ladder (28) on the brace (32) and the bracket (38) with the screws (29) the washers (30), and the nuts (31).

2.2.2 23 Foot Ceiling. Use the subsequent procedure if the ceiling height is 23 feet or more plus the height of the hoist, but less than 25 feet plus the height of the hoist. If the ceiling height is 25 feet or more plus the height of the hoist, refer to Paragraph 2.2.1 to save time during assembly.

- a. Install the columns (WP 998 00, Figure 1, 55, 56) into the bottom column support (57). Install the screws (42), the lockwashers (43), the washers (44), and the nuts (45). Do not tighten the nuts.
- b. Install adjusting screws (62) in the bottom column support (57) and tighten until columns (55, 56) are vertical within 0.5 degrees. Tighten nuts (45).

NOTE

Ensure pins (52) on beam assembly (46) are located to the front. Refer to WP 004 00, Figure 1.

- c. Install the beam assembly (WP 998 00, Figure 1, 46) on the columns (55, 56) so that it rests on the bottom column support (57). Use the hoist.

NOTE

Top column support is stenciled "FRONT".

- d. Attach the hoist (2) to the top column support (41). Install the top column support (41) on the columns (55, 56). Use the hoist. Install the screws (42) the lockwashers (43) the washers (44) and the nuts (45).
- e. Install the brace (32) and the bracket (35) on the ladder (24) with the screws (25) the washers (26) and the nuts (27).
- f. Install the ladder (24) and attached parts (32, 35) on the column (55) with the screws (33, 36) and the washers (34, 37). Ensure ladder with control box bracket (11) is mounted on front left side.
- g. Install the brace (32) and the bracket (38) on the column (56) with the screws (33, 39) and the washers (34, 40).
- h. Install the ladder (28) on the brace (32) and the bracket (38) with the screws (29), the washers (30), and the nuts (31).

2.3 Wiring/Power Connections. Connect electrical wiring to power source as follows:

- a. Install bracket (WP 998 00, Figure 1, 11) on ladder (24) and secure using screws (12), washers (13), and nuts (14).
- b. Install arm brace (7) on bracket (11) and secure using bearing (10), washer (9), and cotter pin (8).
- c. Install control box (3) on arm brace (7) using screws (4), washers (5), and nuts (6).

WARNING

Failure to insert flat side of load cell (1) in the beam assembly (54) with the stud (53) can result in death or serious injury to personnel or damage to equipment. Ensure flat side of load cell is fully flush with beam assembly prior to use. Refer to WP 998 00, Figure 2.

- d. Install the load cell (1) on the beam assembly (46).
- e. Refer to WP 998 00, Figure 1 and connect the cable (15) from the load cell (1) to the control box (3). Secure to beam (46) and ladder (24) using loop clamps (58), screws (59) washers (60), and nuts (61).
- f. Connect the control and power cords (WP 998 00, Figure 2, 108, 112) from the hoist (WP 998 00, Figure 1, 2) to the control box (3). Secure to support (41) and ladder (24) using loop clamps (58), screws (59), washers (60), and nuts (61).
- g. Electrical wiring from the power source to the control box (3) is not provided with the jack tester and must be supplied by the user. Make sure the electrical power source is 115 Volts Alternating Current (VAC), single phase, 60 Hertz (Hz).

- h. Make sure the door on the control box (3) is closed and locked. Use the clips to lock the door.